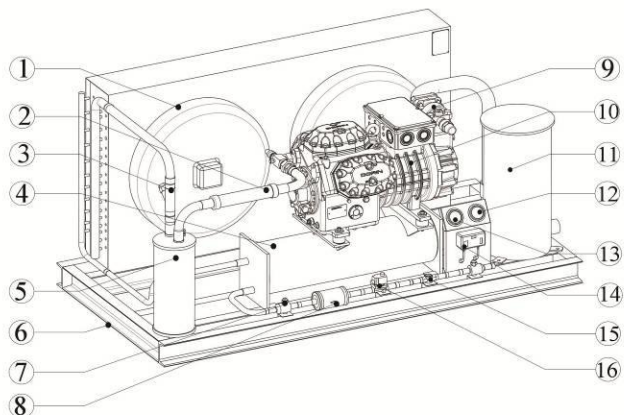


### Outline with accessories.



Item	Description	Item	Description
1	Condenser	9	Suction valve
2	Discharge absorbers	10	Compressor
3	Check valve	11	Accumulator
4	Receiver	12	High pressure gauge
5	Oil separator	13	Low pressure gauge
6	Base support	14	High-low pressure switch
7	Shut-off valve (Option part)	15	Sight glass (Option part)
8	Filter drier (Option part)	16	Liquid line solenoid valve (Option part)



TAIWAN: HANBELL PRECISE MACHINERY CO., LTD.  
No.5 Kongsan road, Kuan-Yin Industrial Park,  
Kuan-Yin Shiang, Tao-Yuan Hsien, TAIWAN, R.O.C.  
Tel: +886-3-4836215 - Fax: +886-3-4836223.  
http://www.hanbell.com - Email: sales1@hanbell.com

TAIWAN: HANBELL VACUUM TECHNOLOGY CO., LTD.  
No.10, Jinke road, Taichung City, TAIWAN, R.O.C.  
Tel: +886-4-25301886 - Fax: +886-4-25301885.  
http://www.hanbell.com - Email: sales2@hanbell.com

EUROPE: COMER S.R.L.  
Via dei Campazzi 25/27, 21040 Genrenzano (VA), Italia.  
Tel: +39-02-962-80188 - Fax: +39-02-962-48011  
Email: come30@yen.191.it

CHINA: SHANGHAI HANBELL MACHINERY CO., LTD.  
No.8289, Ting Feng road, Fengjing Area, Jinshan District, Shanghai.  
Tel: +86-21-57350280 - Fax: +86-21-57352004.  
http://www.shahanbell.com.cn - Email: sales@shahanbell.com

VIETNAM: HERMES VIETNAM MACHINERY COMPANY.  
Block 28-30-32, No.11 road, Tanduc Industrial Park,  
Huuthanh Commune, Duchoa District, Longan Province.  
Tel: +84-072-3-769688 - Fax: +84-072-3-769690.



VHB-CDU-14-A(500)

Design for applications of low, temperature, normal refrigeration and air-conditioning etc..

Energy - saving Model  
Condensing Unit  
Screw/Piston Compressor



### Features

- Its main components are semi-hermetic compressor with electric motor, condenser cooled with through fan, liquid receiver and pressure piping and service valve.
- Anti-short cycling timer for compressor protection and overload protection.
- Various combinations of condensing units with air cooler provide customized packages to cover a wide range of commercial cooling solutions.
- Many options available, factory-installed option packages have been pre-selected for your convenience.

### Operating information

- Handling  
The condensing unit is assembled on a metal sheet with proper handling slot to assure a safety moving.
- Usable refrigerant  
The condensing units have been designed and assembled in order to work with synthetic refrigerant oil.
- Operating Limits  
The units have been designed with operating limits  
Max. allowable pressure : 30 kg/cm<sup>2</sup>  
Minimum and maximum allowable temperature : - 40 / 90 °C

### Installation information

- Pressure connection the condensing units are supplied with two pressure connection.
- Electronic connection the electronic connections of the unit are specified in the nameplate on the compressor and on the fans.
- Verify the level of the oil in the compressor.
- Assess that piping connections are properly done.
- Open suction and discharge valves of the compressor.
- Assess that condensing circuit is not obstructed  
Assess that electrical connections are properly done.

### Specification Technical data (3HP~10HP)

Model	HP	3		5		7.5		10	
Evaporating temperature	°C	-25	-5	-25	-5	-25	-5	-25	-5
Condensing temperature	°C	45	45	45	45	45	45	45	45
Refrigerant	—	R404A	R404A	R404A	R404A	R404A	R404A	R404A	R404A
Rated capacity	kW	2.68	4.96	5.69	8.73	8.52	13.87	11.33	18.49
Rated power input	kW	2	2.29	3.6	3.85	5.9	5.63	7.01	7.78
Displacement	m <sup>3</sup> /h	10.8	8.5	22.83	14.74	30.86	22.83	42.81	38.06
Frequency	Hz	50	50	50	50	50	50	50	50
Phase	P	3	3	3	3	3	3	3	3
Voltage	V	380	380	380	380	380	380	380	380
Rated operating current	A	3.2	4.9	7.8	7.9	11.37	9.71	13.09	13.77
Operating Mode	—	Y	Y	Y	Y	Y/PWS	Y/PWS	Y/PWS	Y/PWS
Locked rotor current	LRA	24.5	24.5	63	43.5	86	63	203	86
Max. operating current	MCC	6	6	12.9	9.4	19.5	12.9	48	19.5
Condenser	kW	4.68	7.25	9.29	12.58	14.42	19.5	18.34	26.27
Receiver type	—	Vertical	Vertical	Vertical	Vertical	Vertical	Vertical	Horizontal	Horizontal
Accumulator type	—	Vertical	Vertical	Vertical	Vertical	Vertical	Vertical	Vertical	Vertical
Oil type	—	POE	POE	POE	POE	POE	POE	POE	POE
Oil charge	kg	1	1	2	1.4	2	2	2.5	2
Liquid line size	—	3/8"	3/8"	5/8"	5/8"	5/8"	5/8"	5/8"	5/8"
Suction line size	—	5/8"	5/8"	1 1/8"	7/8"	1 3/8"	1 1/8"	1 3/8"	1 1/8"

### Technical data (15HP~30HP)

Model	HP	15		20		25		30	
Evaporating temperature	°C	-25	-5	-25	-5	-25	-5	-25	-5
Condensing temperature	°C	45	45	45	45	45	45	45	45
Refrigerant	—	R404A	R404A	R404A	R404A	R404A	R404A	R404A	R404A
Rated capacity	kW	17.02	27.56	21.81	36.54	27.43	45.61	34.07	55.14
Rated power input	kW	10.86	11.07	14.2	14.69	17.93	18.43	21.89	22.48
Displacement	m <sup>3</sup> /h	63.76	42.81	92.25	56.87	113.74	75.83	138.37	92.25
Frequency	Hz	50	50	50	50	50	50	50	50
Phase	P	3	3	3	3	3	3	3	3
Voltage	V	380	380	380	380	380	380	380	380
Rated operating current	A	22.28	19.14	32.7	26.52	34.59	33.94	41.73	42.51
Operating Mode	—	Y/PWS	Y/PWS	Y/PWS	Y/PWS	Y/PWS	Y/PWS	Y/PWS	Y/PWS
Locked rotor current	LRA	171	135	260	177	245	203	260	260
Max. operating current	MCC	34	28	60	38	60	48	66	60
Condenser	kW	27.88	38.63	36.01	51.23	46.35	64.04	55.96	77.62
Receiver type	—	Horizontal	Horizontal	Horizontal	Horizontal	Horizontal	Horizontal	Horizontal	Horizontal
Accumulator type	—	Vertical	Vertical	Vertical	Vertical	Vertical	Vertical	Vertical	Vertical
Oil type	—	POE	POE	POE	POE	POE	POE	POE	POE
Oil charge	kg	2.5	2.5	3.5	2.5	3.5	3.5	3.5	3.5
Liquid line size	—	7/8"	7/8"	7/8"	7/8"	7/8"	7/8"	1 1/8"	1 1/8"
Suction line size	—	1 5/8"	1 3/8"	2 1/8"	1 5/8"	2 1/8"	2 1/8"	2 1/8"	2 1/8"

Hanbell reserves the right to change specification and designs without notice.